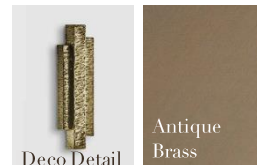


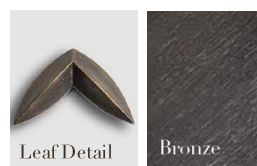


Finishes –

Antique Brass with Deco detail



Bronze with Leaf detail

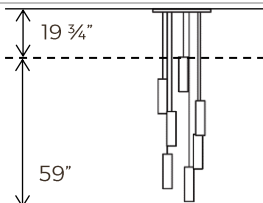
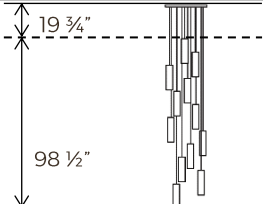
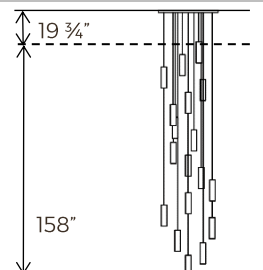


Flex Colours



## ALABASTER PENDANT CLUSTER

### Model Number - UL-ALCL

Diameter	Total Hanging Height	Height Adjustability	Lamp Holders	Max Wattage	Weight	Ceiling Rose	Standard minimum hanging height
<b>7 Light Alabaster Cluster -</b>							
ULALCLCRABDE7 – UL Antique Brass with Deco Detail ULALCLCRBRLE7 – UL Bronze with Leaf Detail							
23 3/4"	78 3/4"	Adjustable on site	7 – E26	20W each	55lb	23 3/4" dia. x 1 1/4" depth	
<b>12 Light Alabaster Cluster -</b>							
ULALCLCRABDE12 – UL Antique Brass with Deco Detail ULALCLCRBRLE12 – UL Bronze with Leaf Detail							
23 3/4"	118 1/4"	Adjustable on site	12 – E26	20W each	81lb	23 3/4" dia. x 1 1/4" depth	
<b>18 Light Alabaster Cluster -</b>							
ULALCLCRABDE18 – UL Antique Brass with Deco Detail ULALCLCRBRLE18 – UL Bronze with Leaf Detail							
40"	178"	Adjustable on site	18 – E26	20W each	156lb	40" dia x 1 1/2" depth	



## General:

The Alabaster Cluster chandeliers have been pre-programmed to set lengths with additional suspension available. The lengths are adjustable on-site during installation.

Please note that the Deco detail is available in Antique Brass metalwork finish. The Leaf detail is available in Bronze metalwork finish.

All the lamp holders in the Alabaster collection are standard large Edison Screw (E26).

Made to UL standards using UL recognised components and designed to operate at 120V / 60Hz.

All measurements and weights are approximate - our lights are hand crafted so there will be some variation.

We recommend using only candle or golf ball style light sources in this chandelier. Please note, light sources are not supplied.

## Assembly:

You will need a qualified electrician to install your light.

Our lights come with comprehensive installation instructions. They shouldn't need much maintenance, but we give you some information on that too.

## Made in England.

All of our lights are designed and manufactured in England by skilled craftsmen and women.

All designs are copyright to Tigermoth Lighting Ltd.

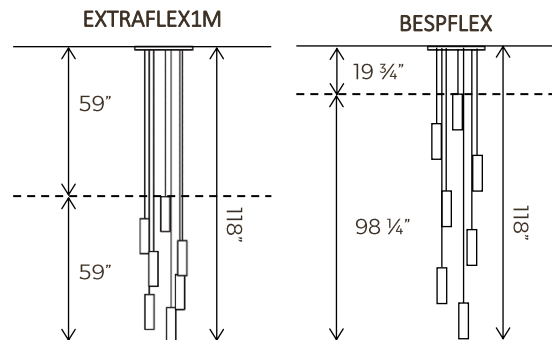
WEEE Registration Number: WEE/BU3809XD

For more information call - +44 (0) 118 984 5232  
or visit – [www.tigermothlighting.com](http://www.tigermothlighting.com)

## Modifications available:

EXTRAFLEX – Extra flex length, charged per m, to increase the hanging height. Please note the extra flex will be added to each individual pendant.

BESPFLEX – Bespoke flex length for the re-programming of bespoke configurations.



Call us for more information on modifications.

Tigermoth Lighting is a  
Lighting Industry  
Association Quality  
Assured Company.

