

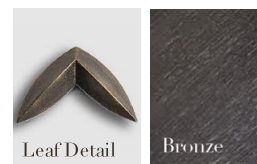


Finishes –

Antique Brass with Deco detail



Bronze with Leaf detail



Flex Colours



ALABASTER PENDANT CLUSTER

Model Number - ALCLCR

Diameter	Std. Hanging Height	Height Adjustability	Lamp Holders	Max Wattage	Weight	Ceiling Rose	
7 Light Alabaster Cluster –							
ALCLCRABDE7 – Antique Brass with Deco Detail ALCLCRBRLE7 – Bronze with Leaf Detail							
600mm	2000mm	Adjustable on site	7 – E27	20W each	25Kg	600mm dia. x 30mm depth	
12 Light Alabaster Cluster –							
ALCLCRABDE12 – Antique Brass with Deco Detail ALCLCRBRLE12 – Bronze with Leaf Detail							
600mm	3000mm	Adjustable on site	12 – E27	20W each	37Kg	600mm dia. x 30mm depth	
18 Light Alabaster Cluster –							
ALCLCRABDE18 – Antique Brass with Deco Detail ALCLCRBRLE18 – Bronze with Leaf Detail							
1000mm	4500mm	Adjustable on site	18 – E27	20W each	70Kg	1000mm dia. x 40mm depth	



General:

The Alabaster Cluster chandeliers have been pre-programmed to set lengths with additional suspension available. The lengths are adjustable on-site during installation.

Please note that the Deco detail is available in Antique Brass finish. The Leaf detail is available in Bronze finish.

All measurements and weights are approximate - our lights are hand crafted so there will be some variation.

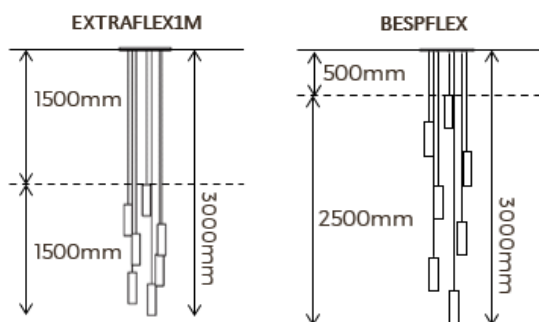
Made to IEC Standards designed to operate at 240V/50Hz. Certification for National Differences e.g. AS/NZS is available on request.

We recommend using only candle or golf ball style light sources in this light. We can supply suitable dimmable LED light sources.

Modifications available:

EXTRAFLEX - Extra flex length, charged per m, to increase the hanging height. Please note the extra flex will be added to each individual pendant.

BESPFLEX - Bespoke flex length for the re-programming of bespoke configurations.



Call us for more information on modifications.

Made in England.

All of our lights are designed and manufactured in England by skilled craftsmen and women.

All designs are copyright to Tigermoth Lighting Ltd.

WEEE Registration Number: WEE/BU3809XD

For more information call - +44 (0) 118 984 5232
or visit - www.tigermothlighting.com

Packaging Information:

The approximate box weights and dimensions are outlined below:

Number of Boxes	Dimensions (mm)	Weight (Kg)
7 Light Alabaster Cluster - TL-ALCLCR7		
1	740 x 740 x 390	18.0
3	470 x 470 x 160	6.0
12 Light Alabaster Cluster - TL-ALCLCR12		
1	740 x 740 x 390	25.0
4	470 x 470 x 160	6.0
18 Light Alabaster Cluster - TL-ALCLCR12		
1	1090 x 1070 x 160	38.0
6	470 x 470 x 160	6.0

Assembly:

You will need a qualified electrician to install your light.

Our lights come with comprehensive installation instructions. They shouldn't need much maintenance, but we give you some information on that too.

Tigermoth Lighting is a Lighting Industry Association Quality Assured Company.

